

GRIT-GUARD

TYPE SP GRIT WASHER/CLASSIFIER

The GRIT-GUARD (SP) provides a means to wash and convey previously separated grit, or sand, from waste water. Grit is agitated, washed, and conveyed up an inclined open trough to a discharge chute by a rotating screw (spiral)

Normally the classifier is installed near the grit chamber and situated so that the separated water can flow back into the channel.

An additional washing agitator (model SP-P) may be included to enhance the grit washing process.



ALL STAINLESS STEEL

Technical Parameters

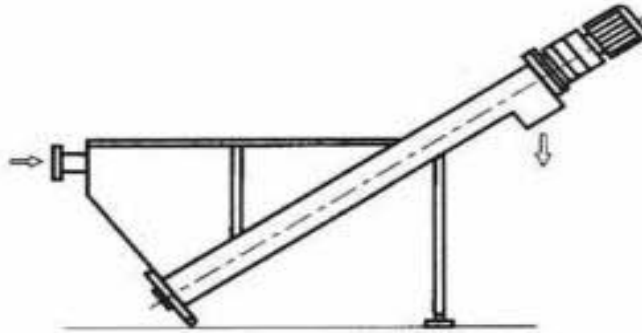
FLOW RATE	80 – 240 GPM (300 - 900 l/min)
EFFICIENCY (SAND GRAIN SIZE ≥ 0.2 mm)	95%
POWER INPUT	1 HP
INCLINATION OF WORKING HELIX	30°



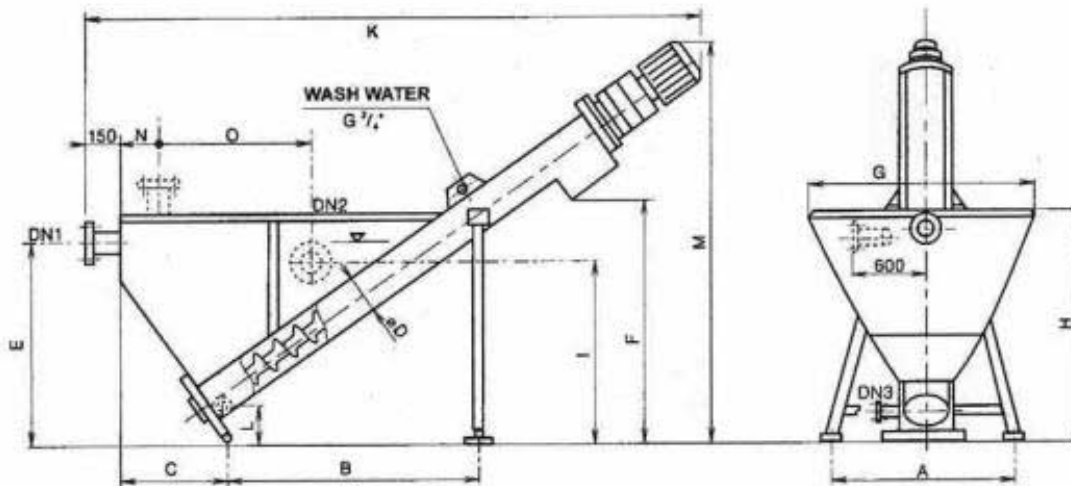
PRO-Equipment, Inc. www.proequipment.com
237 Wisconsin Ave., Waukesha, WI 53186
Tel: 1-262-513-8801 Fax: 1-262-513-8897

MATERIALS, CONSTRUCTION AND MODELS

The classifier is composed of a collecting tank and of an inclined screw conveyor. The tank walls are shaped to accommodate the conveying trough. The helix screw is driven by an electric gear motor. The mixture intake, water outlet, and sludge discharge are flanged. Grit is settled and removed by the screw conveyor from the tank bottom to the outlet during simultaneous separation and washing. Water, free from sediments, but containing some organics, streams off through an overflow trough and connecting pipeline (preferably vertical) to the next treatment process.



The classifier is typically made of stainless steel. It can be installed outdoors or indoors. For outdoor installation, the grit classifier can be equipped with insulation and an electrical heater. An open-air thermostat to operate the heater during the winter season is optional in the control panel.



GRIT CLASSIFIER Model SP øD – Q (e.g. SP 250 – 80)

Model (øD)	Q gpm/lpm	V gal/l	DN1/DN2	DN3	inch/mm													Wt. lb/kg
					A	B	C	E	F	G	H	I	K	L	M	N	O	
SP250	80	130	4	3	40	86	14	59	76	30	63	55	173	9	105	10	30	858
	300	500	100	80	1000	2180	350	1500	1950	750	1600	1400	4400	230	2650	250	750	390
SP250	160	260	4	3	51	86	14	59	76	65	63	55	173	9	105	10	30	1056
	600	1000	100	80	1300	2180	350	1500	1950	1640	1600	1400	4400	230	2650	250	750	480
SP250	240	400	6	3	51	102	16	65	90	74	71	59	197	9	116	14	33	1375
	900	1500	150	80	1300	2580	400	1650	2300	1880	1800	1500	5000	230	2950	350	850	625



PRO-Equipment, Inc. www.proequipment.com
 237 Wisconsin Ave., Waukesha, WI 53186
 Tel: 1-262-513-8801 Fax: 1-262-513-8897