

## STATIC SOLIDS/LIQUID SEPARATOR

# PRO-STAT SIDEHILL SCREEN



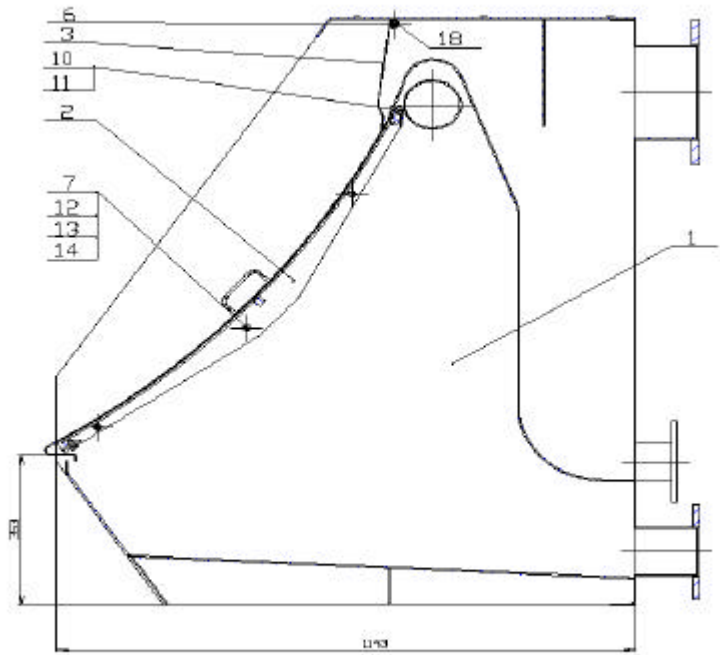
The PRO-STAT Screen is a simple and efficient way of separating solids from various processes. It features a SS wedged-wire screen panel with no moving parts. It is sometimes called a side-hill screen or static screen.



PRO-Equipment, Inc. [www.proequipment.com](http://www.proequipment.com)

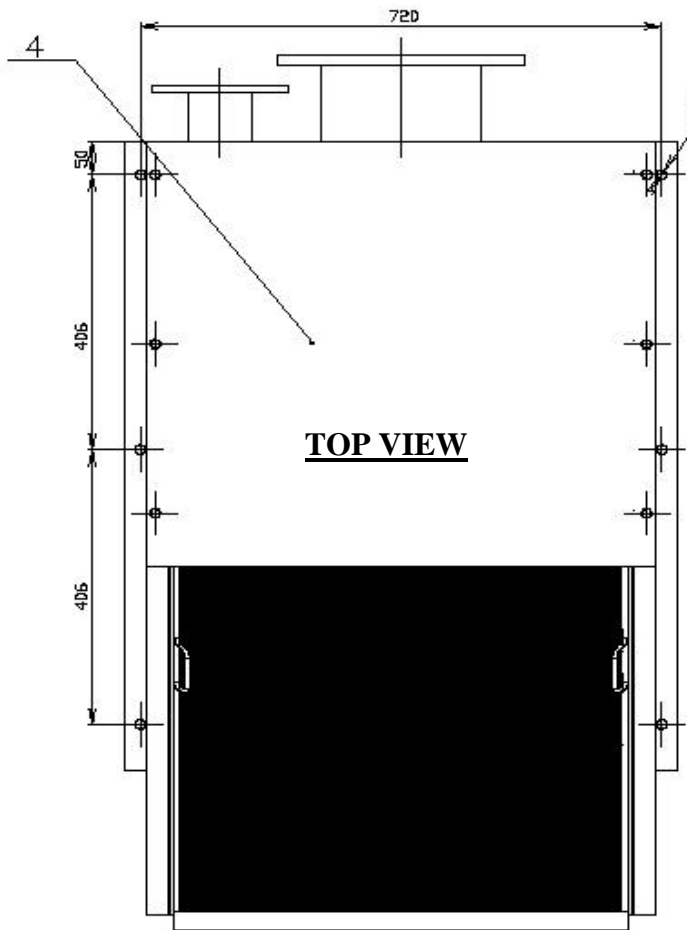
819 W. College Ave., Waukesha, WI 53186

Tel: 1-262-513-8801 Fax: 1-262-513-8897

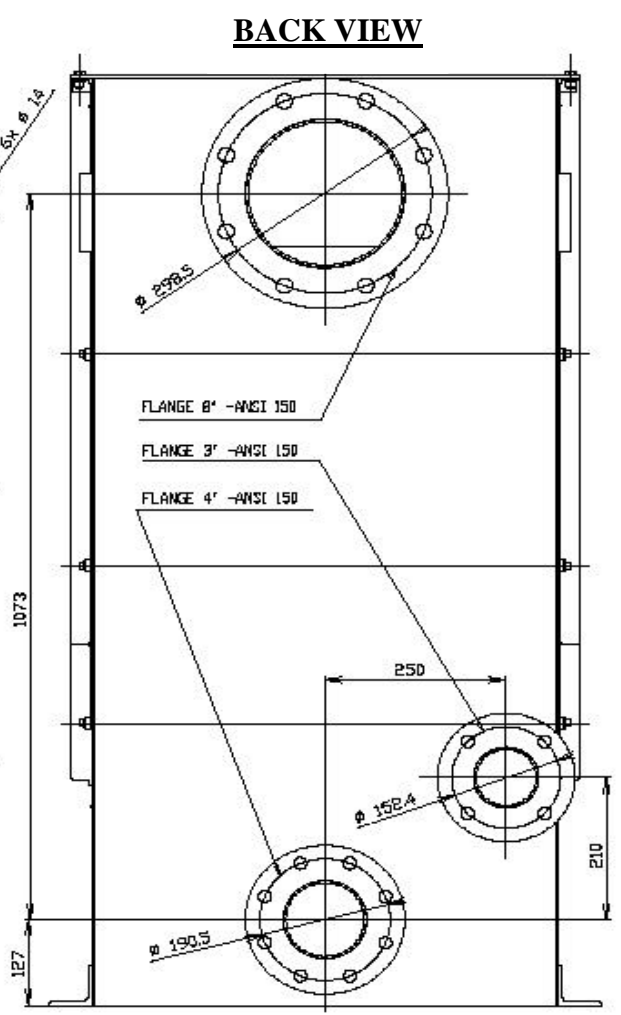


**SIDE VIEW**

18	BOLT M5x6	DIN 916
17	WASHER M8	DIN 127
16	NUT M8	DIN 934
15	BOLT M8x20	DIN 933
13	WASHER M10	DIN 125
12	NUT M10	DIN 985
11	WASHER M8	DIN 127
10	BOLT M8x35	DIN 912
7	THREADED ROD	M10-680
6	PIN	Ø8-85
5	BUSHING	Ø20-34
4	COVER	P3-702x650
3	BUFFLE	WELDMENT
2	PANEL	ASSEMBLY
1	CABINET	WELDMENT
POS	TITLE	DIMENSION



**TOP VIEW**



**BACK VIEW**